

- Dual 2-Wide, 2-Input AND-OR-Invert
- Dual Expandable AND-NOR

Features

341

- PROVIDES COMPLEX FUNCTION WITH LOW SUPPLY DRAIN
- EXPANDABLE INPUTS
- ACTIVE PULLUP

344

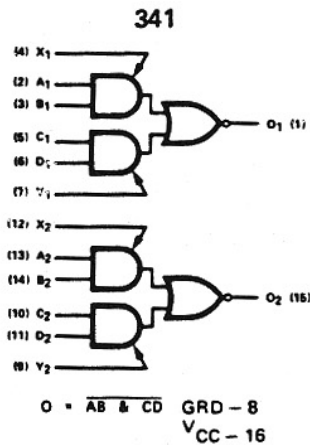
- ALLOWS COMBINATION OF COLLECTOR OR'ING AND ACTIVE OUTPUT DESIGN
- COLLECTOR OR'ABLE WITH OTHER OPEN COLLECTOR GATES

General Descriptions

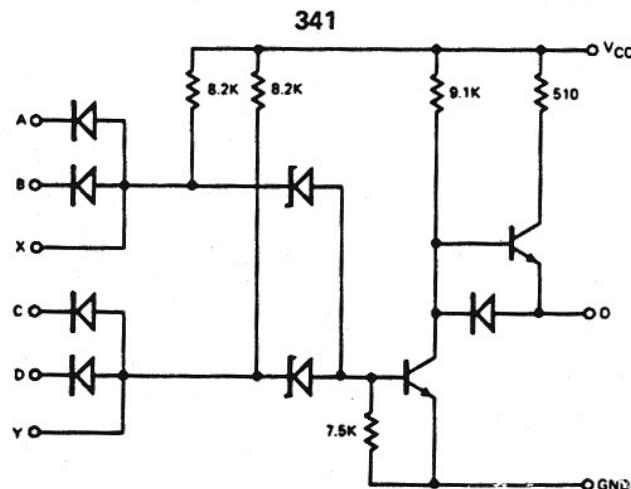
341

The 341 is an expandable gate with active pullup outputs. It is used in applications such as comparing two binary numbers. Large numbers may be compared by using the expander inputs.

Logic Diagrams



Equivalent Circuit



Equivalent Circuits (contd.)

Specifications

341

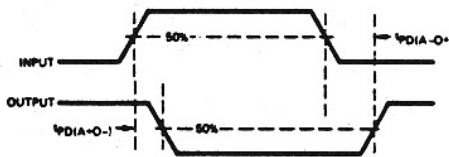
I_{CC} (WORST-CASE)	11 mA @ 13V, 15 mA @ 16V	
t_{PD}	150 ns	410 ns
I/O FUNCTION FOR t_{PD}	A+O-	A-O+

NOTE:

I_{CC} is tested at $V_{CC} + 1$ Volt (+13V for C type and +16V for A type) and is guaranteed across the applicable temp range. t_{PD} is guaranteed at $V_{CC} \pm 1V$ and across the applicable temp range with the output loaded with 5 unit loads.

See page 12 for electrical summary data.

Switching Time Waveforms

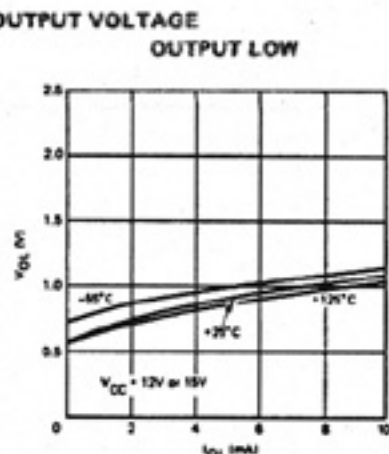
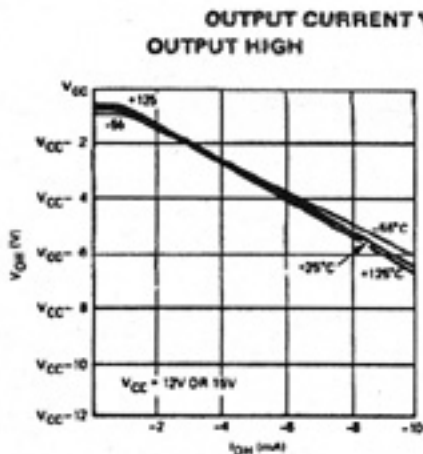
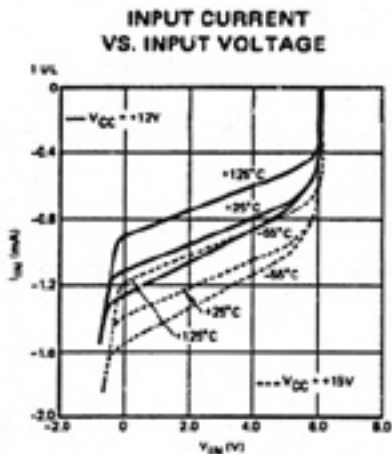


Loading Tables

341

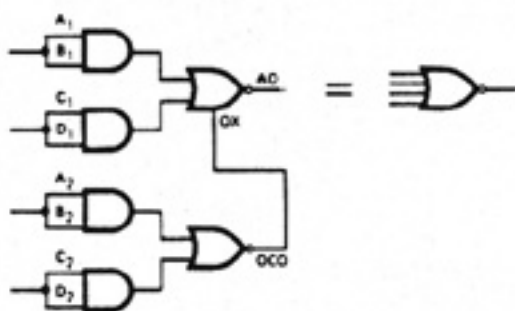
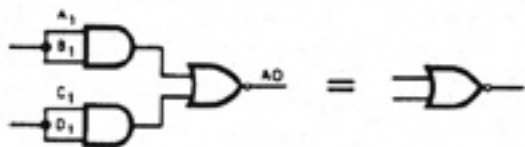
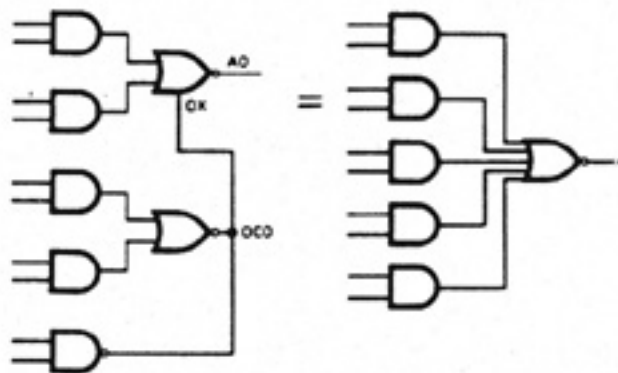
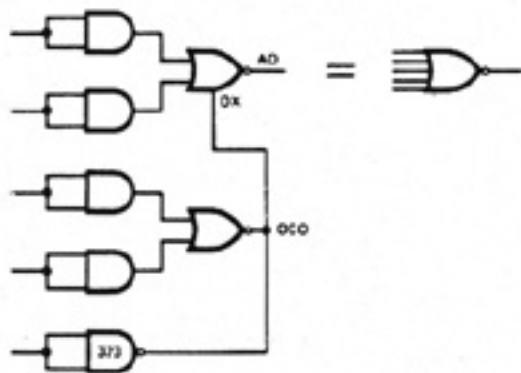
PINS	FUNCTION	LOADING
A-D	Inputs	1 UL
X	Expanders	Each diode tied to X ₁ or X ₂ is 1 unit load
0	Outputs	5 UL

Typical Performance Characteristics



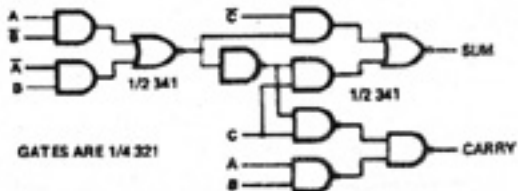
Typical Applications

The number of inputs to each gate may be increased to any desired number of adding 331 gate expanders or 1N4148 diodes (or any 20-volt silicon diode) to the expander inputs.

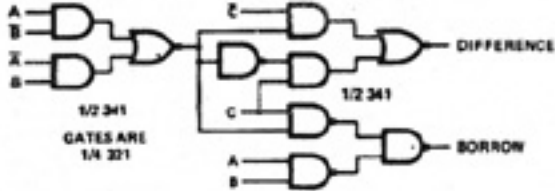


Typical Applications (contd.)

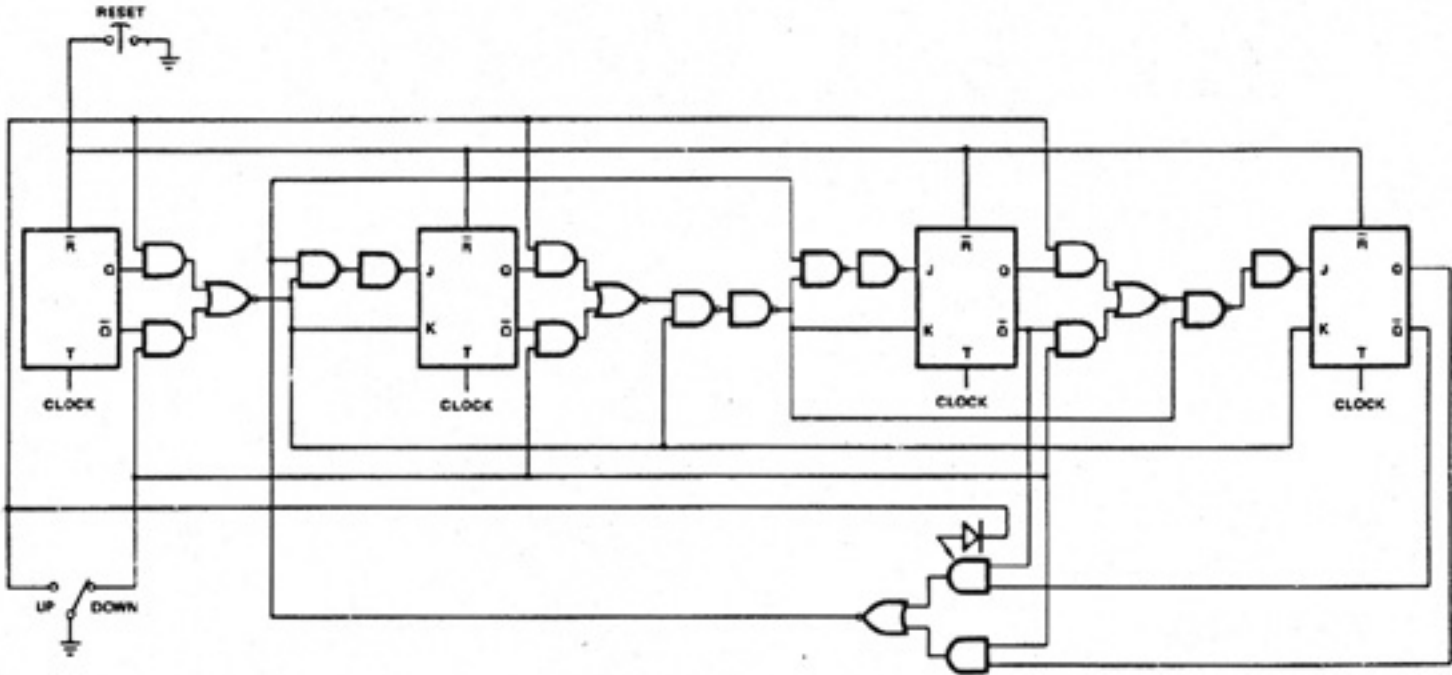
FULL ADDER



SUBTRACTOR



UP-DOWN BCD SYNCHRONOUS RESETTABLE COUNTER



This circuit requires only two 312, two 321 and two 341 packages, plus a 1N914 diode.