

IEC Appliance Inlet C20, Screw-on Mounting, Front Side, Solder or Quick-connect or Screw-on Terminal



C20



70° C

**Description**

- Panel Mount:  
Screw-on mounting, from front side
- Appliance Inlet, Pin temperature 70 °C, Protection class I,

**Approvals**

- VDE License Number: 40026179
- UL License Number: E96454
- CSA License Number: 27324

**References**

[General Product Information](#)

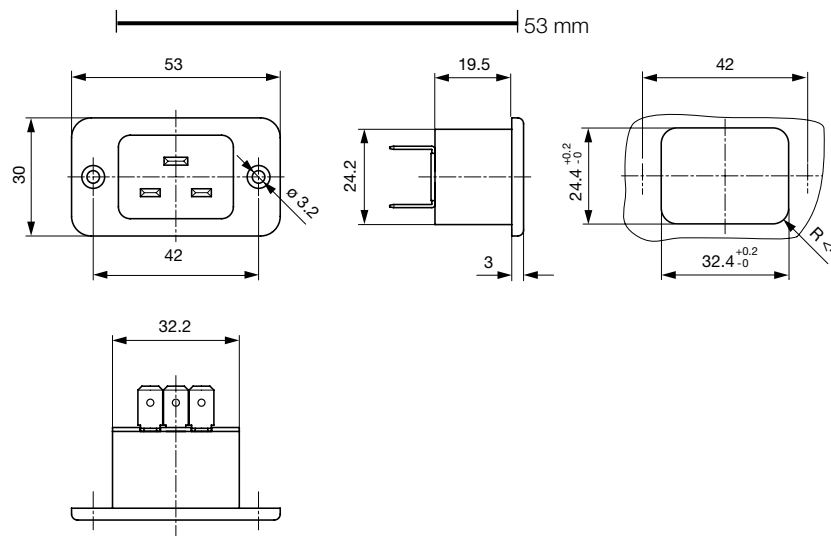
**Weblinks**

[Approvals](#), [RoHS](#), [CHINA-RoHS](#), [Mating Connectors](#), [Distributor-Stock-Check](#), [Accessories](#)

**Technical Data**

Ratings IEC	16 A / 250 VAC; 50 Hz
Ratings UL/CSA	21 A / 250 VAC; 60 Hz
Dielectric Strength	> 3 kVAC between L-N > 1.5 kVAC between L/N-PE (1 min/50 Hz)
Allowable Operation Temp.	-25 °C to 70 °C
Degree of Protection	from front side IP 20 acc. to IEC 60529
Protection Class	Suitable for appliances with protection class 1 acc. to IEC 61140
Material: Housing	PA, UL 94V-0

Appliance Inlet	C20 acc. to IEC/EN 60320-1 UL 498, CSA C22.2 no. 42 (for cold conditions) pin-temperature 70 °C, 16 A, Protection Class 1
-----------------	--

**Dimensions**

Length of the terminal please find at the order code configuration table

### Config. Code

Product Configurator

1621 - H - A B C 0 - D - E

The characters are placeholders for the correspondingly keys of selections from the key tables.

1621 - H - A B C 0 - D - E = Type

Type	Configuration key
protection class 1	X

1621 - H - A B C 0 - D - E = Terminals

Terminal L	Configuration key
short solder terminal (L=4,8mm)	2
long solder terminal (L=8,5mm)	3
blade terminal (4,8x0,8mm)	8
blade terminal (6,3x0,8mm)	9
screw terminal	A



1621 - H - A B C 0 - D - E = Terminals

Terminal N	Configuration key
short solder terminal (L=4,8mm)	2
long solder terminal (L=8,5mm)	3
blade terminal (4,8x0,8mm)	8
blade terminal (6,3x0,8mm)	9
screw terminal	A

Symbols similar as in table A

1621 - H - A B C 0 - D - E = Terminals

Terminal Ground	Configuration key
short solder terminal (L=4,8mm)	2
long solder terminal (L=8,5mm)	3
blade terminal (4,8x0,8mm)	8
blade terminal (6,3x0,8mm)	9
screw terminal	A

Symbols similar as in table A

1621 - H - A B C 0 - D - E = Color

Color	Configuration key
jet black; RAL9005	A
silver grey; RAL7001	B
pure white; RAL9010	D

standard color: black

1621 - H - A B C 0 - D - E = Style

Style	Configuration key
flange with countersunk holes	1
flange with through holes	2

### Variants

Config. Code	Description	Order Number
1621-X-AAA0-B-1	1621, IEC Appliance Inlet C20, 70°C, version: 1, L: screw terminal, N: screw terminal, ground: screw terminal, color: silver grey; RAL7001, design: flange with countersunk holes, dimension X:	6163.0009

The listed variants should be available from stock. Other versions on request [www.schurter.com/contact](http://www.schurter.com/contact)

### Mating Outlets/Connectors

#### Category / Description

#### Connector Overview complete



IEC Connector C19, Rewireable, Straight	0104
IEC Connector C19, Rewireable, Angled	1651
IEC Connector C19, Rewireable, Straight	1652
IEC Connector C19, Rewireable, Angled	4790
IEC Connector C19, Rewireable, Straight	4795

[Connector further types to 1621](#)

#### Power Cord Overview complete



Power Cord with IEC Connector C19, Straight	1654
---	------

[Power Cord further types to 1621](#)